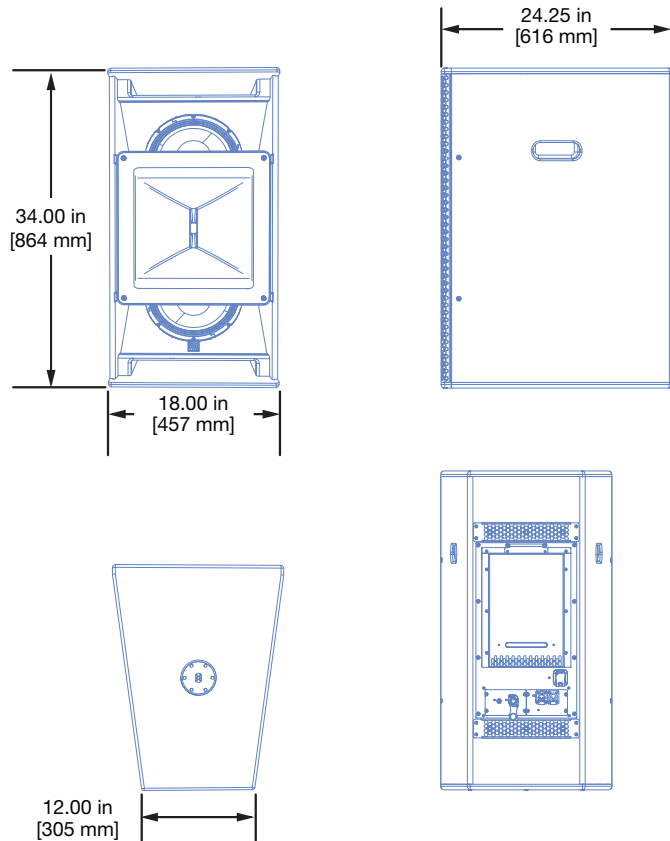


ULTRA-X80 PRELIMINARY



ULTRA-X80, ULTRA-X82



SPECIFICATIONS

ACOUSTICAL ¹	ULTRA-X80	ULTRA-X82
Operating Frequency Range	55 Hz - 18 kHz	
AES75 Maximum Linear Sound Levels ²	141 dB pk	142 dB pk
COVERAGE		
Horizontal Coverage	95°	50°
Vertical Coverage	40°	40°
PHYSICAL		
Weight	130 lbs. (60 kg) +/- 5 lb (2.3 kg)	
Enclosure	Premium multi-ply birch, slightly textured black finish	
Protective Grille	Powder-coated, stamped steel	
Rigging	M10 accessory attachment points	
IEC Ingress Protection Rating (IP Rating)	IP55, when connected to cables terminated with Neutrik TOP connectors	
AC POWER		
Connector	Neutrik powerCON TRUE1 TOP (True Outdoor Protection)	
Operating Voltage Range	200 – 240 V AC, 50 or 60 Hz	
POWER CONSUMPTION		
Max Long-Term Continuous Power (>10 sec)	1200 W	
Burst Power (<1 sec)	2200 W	
Idle Power	150 W	

SPECIFICATIONS, CONT'D.

ANALOG AUDIO INPUT ³	
Connector	Neutrik XLR 3-pin TOP (True Outdoor Protection) female input with male loop output.
Input Level	Source must be capable of producing +24 dBu into 600 Ω to produce the maximum peak SPL over the operating bandwidth of the loudspeaker.
DIGITAL AUDIO INPUT ³	
Connector	Neutrik etherCON TOP (True Outdoor Protection)
Digital Format	AVB, Milan Certified
MONITORING	
Telemetry	Loudspeaker telemetry transmitted via the Ethernet port, displayed in software
TRANSDUCERS	
Low Frequency	Two 12-inch long-excursion cone drivers; 4 Ω nominal impedance
High Frequency	One 4-inch diaphragm compression driver coupled to a horn; 4 Ω nominal impedance

NOTES

- Loudspeaker system predictions for coverage and sound levels are available in Meyer Sound's MAPP System Design Tool.
- AES75 Maximum Linear Sound Level is measured in free-field at 4 m with a Class 2 sound level meter in accordance with IEC 61672 and ANSI S1.4. Values are scaled to 1 m distance from the loudspeaker when the loudspeaker is reproducing Music-Noise with less than 2 dB of compression for at least 1-hour, 40-degree C ambient temperature.

Music-Noise is a full bandwidth, (10 Hz – 22.5 kHz) test signal with a crest factor that more closely represents typical program material. It has a constant instantaneous peak level in octave bands, a crest factor that increases with frequency, and a full bandwidth Peak to RMS ratio of 18 dB.
- Both analog and digital audio inputs are provided as standard.



Digital Version

Pending

