

DXE Collapsible Rain Hood Type 2 Attachment



PARTS LIST

The DXE Collapsible Rain Hood Type 2 Kit includes the following parts:

- One DXE Collapsible Rain Hood Assembly Type 2 (PN 45.268.047.01)
- Four pan head Phillips 6-32 x 0.75-inch stainless-steel screws (PN 101.269)

COLLAPSIBLE RAIN HOOD

Four screws secure the DXE Collapsible Rain Hood frame permanently into place (Figure 1).



NOTE: When using the rain hood, the loudspeaker has only one possible vertical and one possible horizontal position, as all cables must exit from the lower end of the loudspeaker.

To attach the collapsible rain hood:

1. Line the holes on the collapsible rain hood frame up with the four holes on the user panel. Be mindful of the orientation to ensure the cable exit is at the bottom.
2. Insert the four provided pan head Phillips 6-32 x 0.75-inch stainless-steel screws.
3. Tighten the screws to create a good seal against the user panel. The recommended torque value for the screws is 10–12 in-lb (1.1–1.4 N-m).

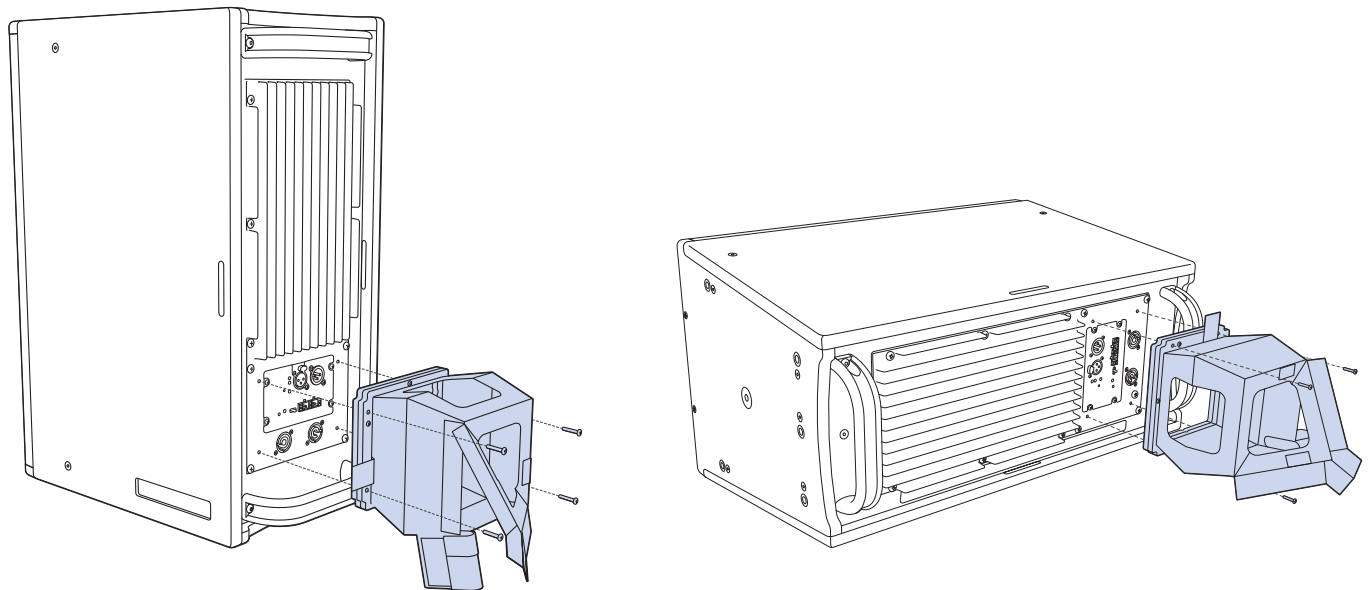





Figure 1: ULTRA-X40/42 with DXE Collapsible Rain Hood Type 2 in vertical (left) and horizontal (right) orientations

To use the DXE collapsible rain hood:

1. Detach the Velcro straps and extend the rain hood.
2. Lift the front flap.
3. Attach any required cables to the loudspeaker. (The clear windows facilitate locating the connectors on the user panel.)
4. Secure the cable protector with the Velcro attachments.
5. Secure the front flap Velcro edges.
6. To stow the rain hood, reverse the steps.

 **CAUTION:** The weather-protected loudspeaker must be mounted with a 0° tilt, or preferably with a slight down-tilt. This angle shields the driver from the elements and does not allow water to accumulate. Do not tilt the cabinet up, as the drivers and cabinet will accumulate water.

 **CAUTION:** The loudspeaker must be oriented so that the cord exits at the bottom of the rain hood. Use care when installing the loudspeaker to ensure the rain hood is positioned to work properly when unfolded.

 **NOTE:** Weather-protected units using the collapsible rain hood are intended for portable uses and temporary outdoor deployment. The rain hood is designed to protect the connectors from direct exposure to rain.

