

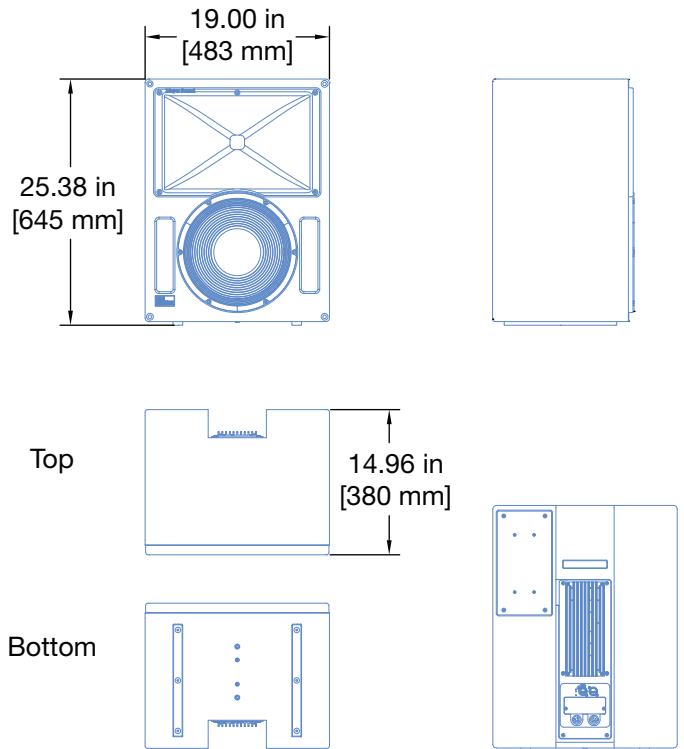
# Screen Channel Components and Optional Accessories



## CONTENTS

<b>Acheron Designer Loudspeaker .....</b>	<b>2</b>
MYA-Acheron Designer Yoke (PN 40.211.035.01) .....	2
Acheron Designer Grille Frame(PN 40.211.300.01) .....	2
<b>Acheron Studio Screen Channel Loudspeaker.....</b>	<b>3</b>
MYA-AST Yoke (PN 40.195.046.01) .....	3
<b>Acheron 80/100 Screen Channel Loudspeaker .....</b>	<b>4</b>
STB-Acheron Stacking Brackets (PN 40.188.025.01).....	4
FMB-Acheron Floor Mount Bracket(PN 40.188.026.01) .....	4
<b>Acheron LF Screen Channel Loudspeaker .....</b>	<b>5</b>
FMB-Acheron Floor Mount Bracket(PN 40.188.026.01) .....	5
<b>Amie Precision Studio Monitor .....</b>	<b>6</b>
MUB-Amie U-Bracket (PN 40.249.061.01) .....	6
Mub-Amie U Bracket with Desk Stand(PN 40.249.086.01) .....	6
<b>Bluehorn System Full Bandwidth Studio Monitor .....</b>	<b>7</b>
MYA-Acheron Designer Yoke (PN 40.211.035.01) .....	7

## ACHERON DESIGNER LOUDSPEAKER

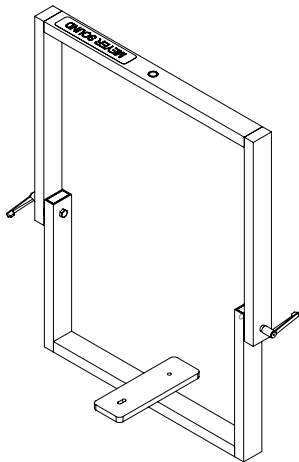


**Weight** 76 lb [34.5 kg] (without grille frame) 78 lb [35.4 kg] with grille frame

**Total Output Power** 1400 W peak

**Maximum Long Term Continuous Current Draw (> 10 sec)** 1.58 A rms (115 V AC); 0.83 A rms (230 V AC); 1.78 A rms (100 V AC)

## MYA-ACHERON DESIGNER YOKE (PN 40.211.035.01)



**Width** 27.62 in [702 mm] (with handles)

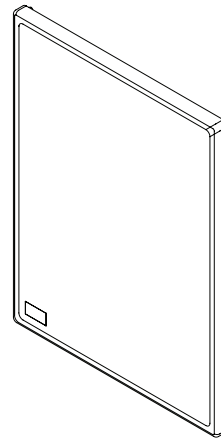
**Height** 31.07 in [789 mm]

**Depth** 2.00 in [51 mm] (top bar)

**Self-weight** 28.5 lb [12.9 kg]

**Load rating 7:1** 90 lb [40.8 kg]

## ACHERON DESIGNER GRILLE FRAME (PN 40.211.300.01)

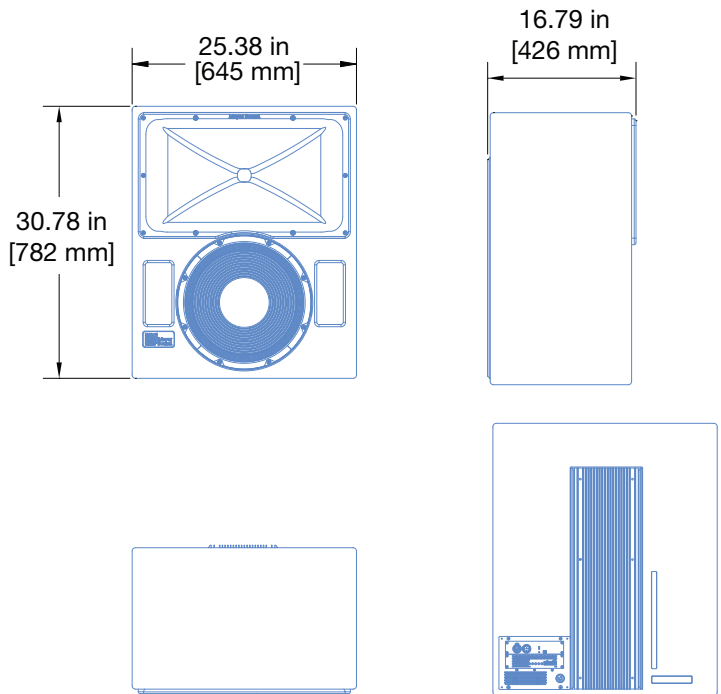


**Width** 18.93 in [481 mm]

**Height** 24.93 in [634 mm]

**Depth** 0.98 in [25 mm]

## ACHERON STUDIO SCREEN CHANNEL LOUDSPEAKER

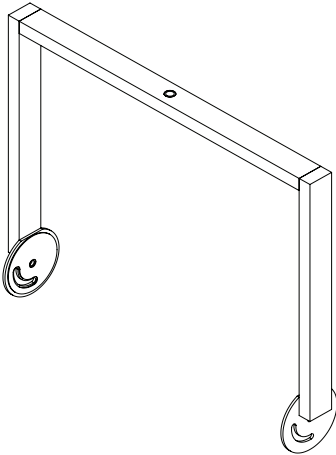


Weight 113 lb [51.26 kg]

Total Output Power 700 W peak

Maximum Long Term Continuous Current Draw (> 10 sec) 2.2 A rms (115 V AC); 1.1 A rms (230 V AC); 2.5 A rms (100 V AC)

## MYA-AST YOKE (PN 40.195.046.01)



Width 27.88 in [708 mm]

Height 22.80 in [579 mm]

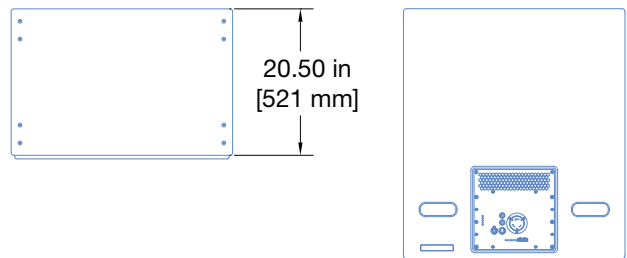
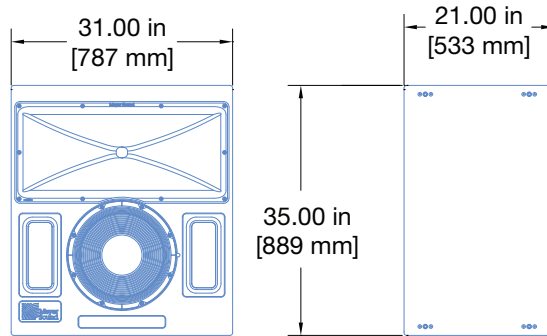
Depth 2.00 in [51 mm]

Self-weight 14.5 lb [6.58 kg]

Load rating 7:1 150 lb [68 kg]

**NOTE:** The MYA-AST Yoke is not a retrofit option. It must be ordered at the same time as the loudspeaker to which it will attach, as the loudspeaker cabinet is modified for this accessory.

## ACHERON 80/100 SCREEN CHANNEL LOUDSPEAKER

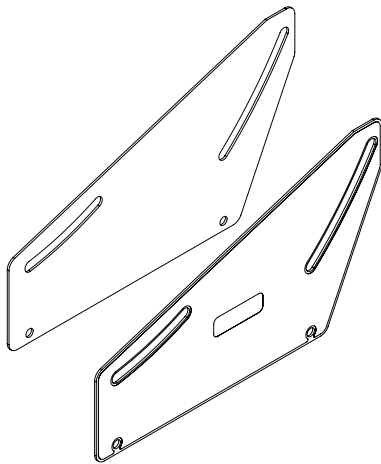


**Weight** 173 lb [78.5 kg]

**Total Output Power** 3370 W peak

**Maximum Long Term Continuous Current Draw (> 10 sec)** 5.8 A rms (115 V AC); 2.8 A rms (230 V AC); 6.3 A rms (100 V AC)

## STB-ACHERON STACKING BRACKETS (PN 40.188.025.01)



**Width** 17.38 in [441 mm] (each)

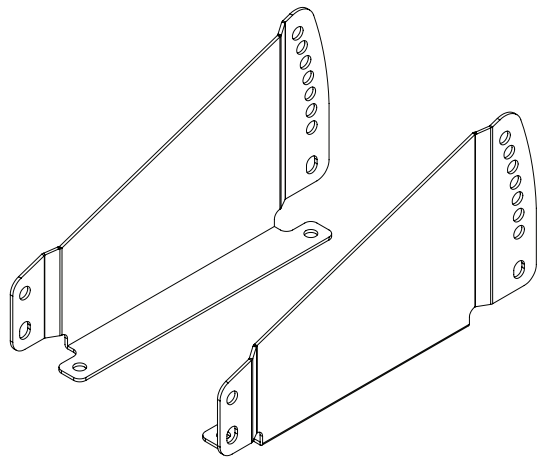
**Height** 9.75 in [248 mm] (each)

**Depth** .01 in [3 mm] (each)

**Self-weight** 3.3 lb [1.5 kg] (each)

**Load rating** One Acheron 80/100 (pair)

## FMB-ACHERON FLOOR MOUNT BRACKET (PN 40.188.026.01)



**Width** 13.00 in [330 mm] (each)

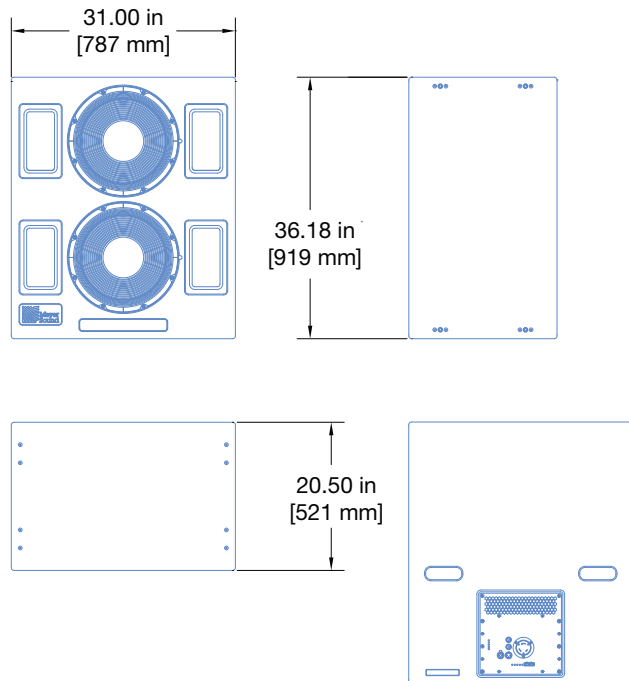
**Height** 7.03 in [179 mm] (each)

**Depth** 1.85 in [47 mm] (each)

**Self-weight** 2.4 lb [1.09 kg] (each)

**Load rating** Two Acheron 80/100 or one Acheron 80/100 plus one Acheron LF (pair)

## ACHERON LF SCREEN CHANNEL LOUDSPEAKER

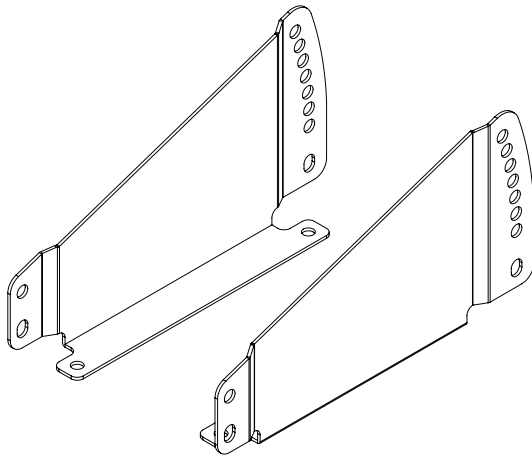


**Weight** 185 lb [83.91 kg]

**Total Output Power** 4500 W peak

**Maximum Long Term Continuous Current Draw (> 10 sec)** 8.8 A rms (115 V AC); 4.4 A rms (230 V AC); 10.0 A rms (100 V AC)

## FMB-ACHERON FLOOR MOUNT BRACKET (PN 40.188.026.01)



**Width** 13.00 in [330 mm] (each)

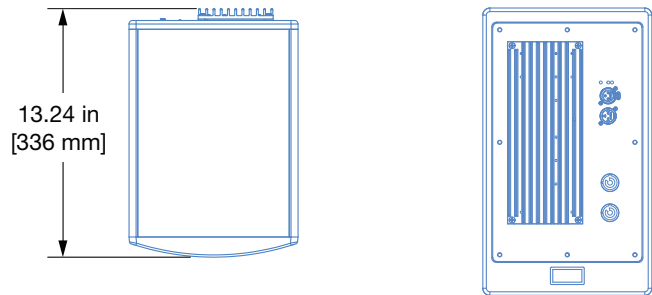
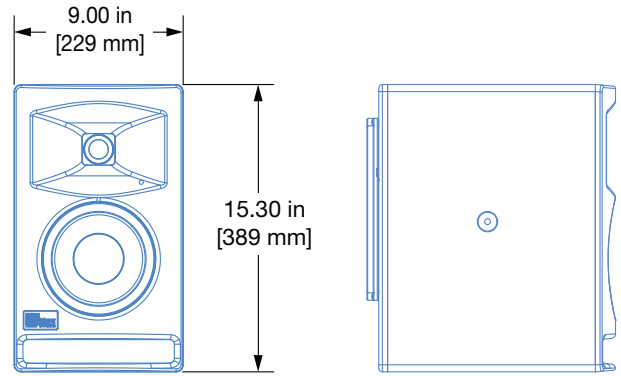
**Height** 7.03 in [179 mm] (each)

**Depth** 1.85 in [47 mm] (each)

**Self-weight** 2.4 lb [1.09 kg] (each)

**Load rating** Two Acheron 80/100 or one Acheron 80/100 plus one Acheron LF (pair)

## AMIE PRECISION STUDIO MONITOR

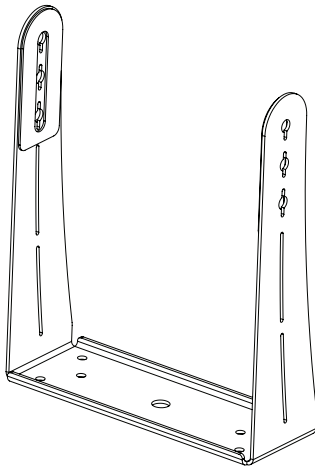


**Weight** 25 lb [11.3 kg]

**Total Output Power** 900 W peak

**Maximum Long Term Continuous Current Draw (> 10 sec)** 0.68 A rms (115 V AC); 0.36 A rms (230 V AC); 0.79 A rms (100 V AC)

### MUB-AMIE U-BRACKET (PN 40.249.061.01)



**Width** 9.31 in [236 mm]

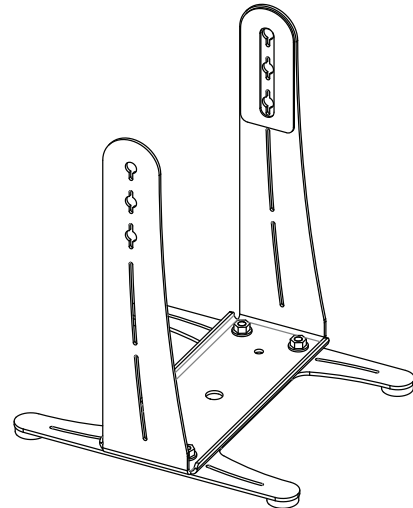
**Height** 11.75 in [298 mm]

**Depth** 3.46 in [88 mm]

**Self-weight** 2.5 lb [1.13 kg]

**Load rating 7:1** 25 lb [11.3 kg]

### MUB-AMIE U BRACKET WITH DESK STAND (PN 40.249.086.01)



**Width** 23.75 in [603 mm]

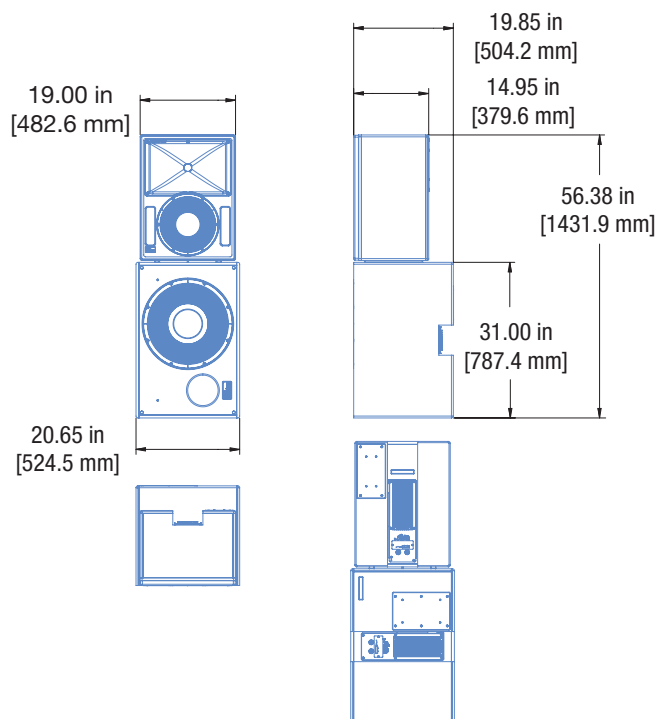
**Height** 17.25 in [438 mm]

**Depth** 0.59 in [15 mm]

**Self-weight** 4.2 lb [1.90 kg]

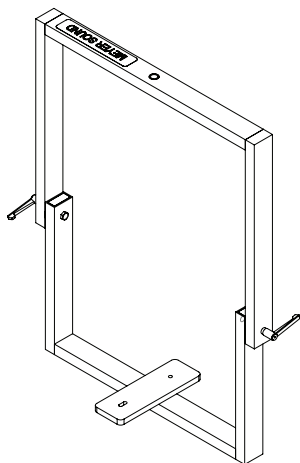
**Load rating 7:1** 25 lb [11.3 kg]

## BLUEHORN SYSTEM FULL BANDWIDTH STUDIO MONITOR



<b>Weight</b>	162 lb [73.5 kg] total; Bluehorn: 74 lb [33.6 kg]; Bluehorn Sub: 88 lb [39.9 kg]
<b>Total Output Power</b>	1300 W peak (Bluehorn); 900 W peak (Bluehorn Subwoofer)
<b>Bluehorn Max Long Term Continuous Current (&gt; 10 sec)</b>	1.58 A rms (115 V AC); 0.83 A rms (230 V AC); 1.78 A rms (100 V AC)
<b>Bluehorn Subwoofer Max Long-Term Continuous Current (&gt;10 sec)</b>	1.4 A rms (115 V AC); 0.7 A rms (230 V AC); 1.6 A rms (100 V AC)

## MYA-ACHERON DESIGNER YOKE (PN 40.211.035.01)



<b>Width</b>	27.62 in [702 mm] (with handles)
<b>Height</b>	31.07 in [789 mm]
<b>Depth</b>	2.00 in [51 mm] (top bar)
<b>Self-weight</b>	28.5 lb [12.9 kg]
<b>Load rating 7:1</b>	90 lb [40.8 kg]

**NOTE:** Information on Load Ratings provided for feasibility purposes only. In some cases, restrictions apply. See the appropriate loudspeaker Operating Instructions or Rigging Assembly documents for more details. Meyer Sound documentation available at [meyersound.com/documents](https://meyersound.com/documents).

---

Meyer Sound Laboratories, Incorporated.  
2832 San Pablo Avenue  
Berkeley, CA 94702

+1 510 486.1166  
[meyersound.com/contact](https://meyersound.com/contact)  
[meyersound.com](https://meyersound.com)

Screen Channel Product Information  
04.990.102.01 A  
Copyright © 2021. All Rights Reserved.

